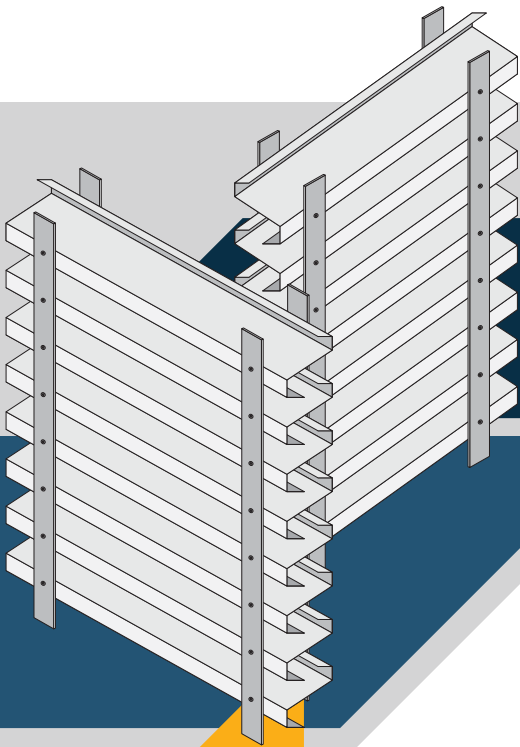
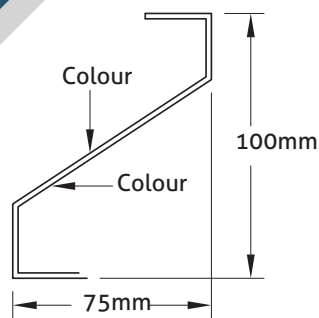


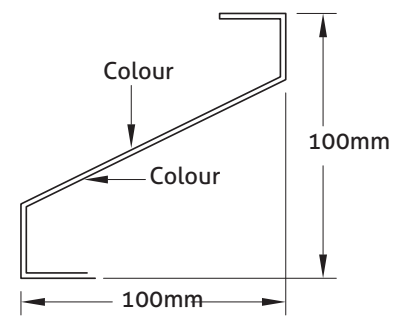
Z-LOUVRES



2 SIZES



75mm x 100mm



100mm x 100mm

PAINT SYSTEM

SPRAY APPLICATION

- Polyester
- PVDF

COIL

- HPE SERIES
- DURATHERM SERIES

PAINT STANDARD

- AAMA Standard
- MS Standard

COATING SYSTEM

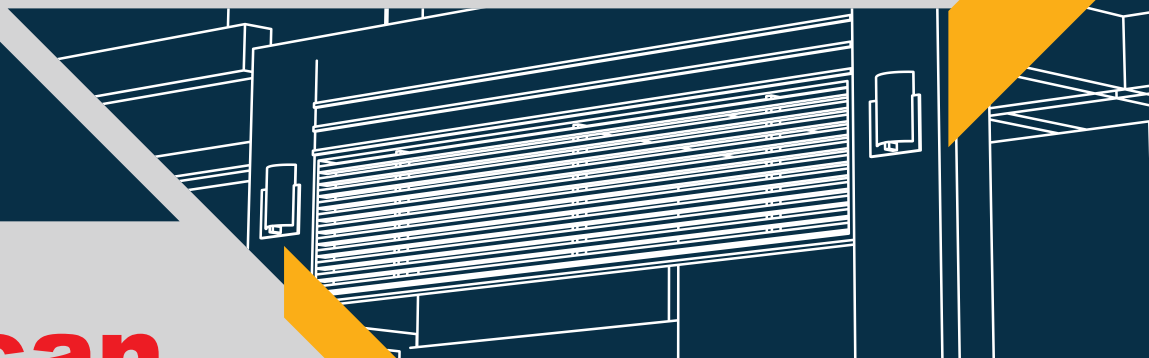
- AZ150

THICKNESS

- 0.48mm TCT

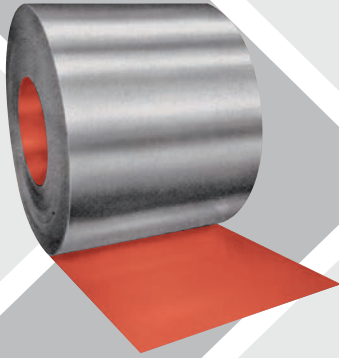


Since 1983

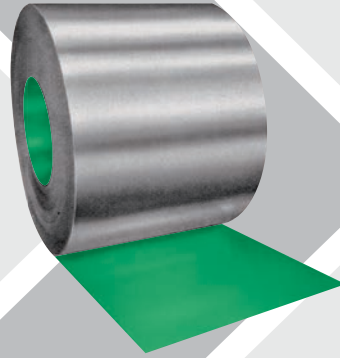


AmcanColors

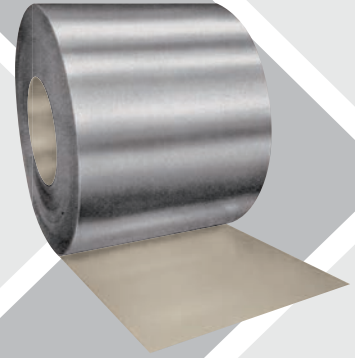
For all Seasons



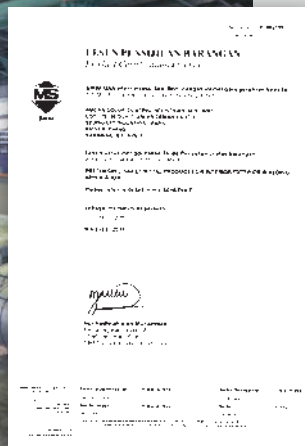
HPE
AmcanColors
High Performance
Polyester



DuraTherm
AmcanColors
Super Durable
Thermal Control



DuraFluor
AmcanColors
Super Durable
PVDF



**Come in
High Tensile &
Coating of
AZ100 / AZ150 / AZ200**



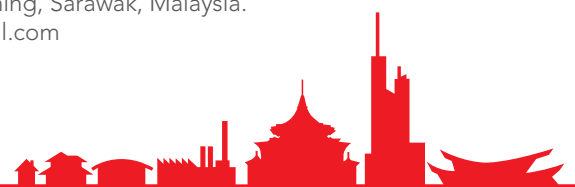
Amcan Color Coating Industries Sdn Bhd

Factory/Head Office

Lot 779, Block 7, Jalan Demak Laut 3, MTLD Sejingkat Industrial Park, 93050 Kuching, Sarawak, Malaysia.
Tel : +6082 432 323 Fax : +6082 432 828 E-mail : amcancolor@gmail.com

Marketing Sales & Project Office

Lot 337, Section 54, KTL D, Jalan Padungan, 93100 Kuching, Sarawak, Malaysia.
Tel : +6082 421 373 Fax : +6082 232 077



Dedicated to Quality Excellence