



Since 1983



MALAYSIA

KUCHING



# AMCAN INDUSTRIAL BUILDING SYSTEM (IBS)

*AMCAN IBS Housing System,  
Contemporary Design, Inherent Durability*



Dedicated to Quality Excellence

# Revolution through Innovation

AMCAN is the pioneer in Sarawak to offer a *total building construction solution* to cater for today's demand for fast, efficient and cost effective building construction needs.

AMCAN's Concrete Panel System, **AM-PANEL®** (Industrial Design No. MY 16-00767-0102, MY 16-00768-0202), its Interlocking Panel System (Patent Application No. PI 2018000522) and our Light Gauge Steel (LGS) framing system are specifically designed to meet stringent quality standard. Combined with our roof truss system, full range of pre-painted roofing profiles and our in-house coil coating and slitting facilities, we offer a truly one-stop solution to priority projects, fast-tracking implementation time and solving all on-site challenges.



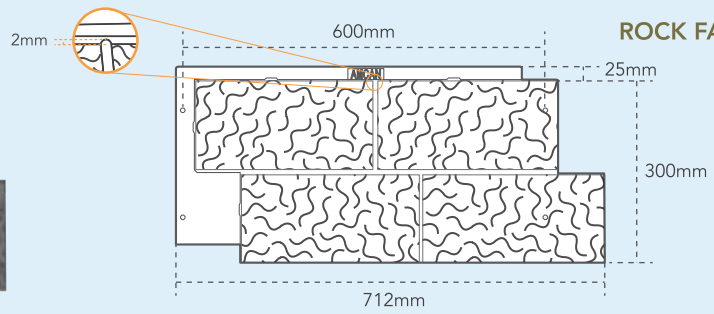
◀ Decorative Wall Panel Design

Profile Properties	Effective Width (mm)	Effective Height (mm)	Profile Thickness (mm)
Rock Face Design A	600	300	25
Rock Face Design B	600	445	30
Brick Design	600	300	25
Pavestone Design	600	297	30
Architectural Design	600	300	25
Decorative Wall Panel Design	800	400	20

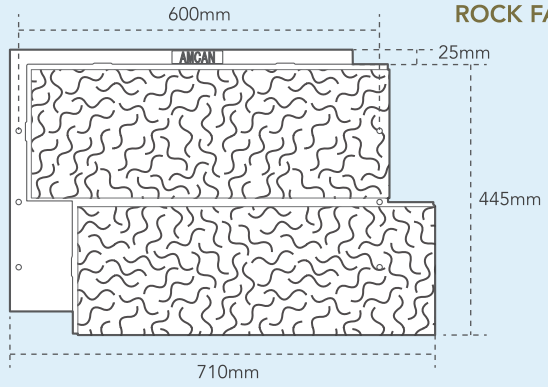
Tolerances : Length ±3mm, Cover width ±3mm, Thickness ±3mm.

## Material Specification

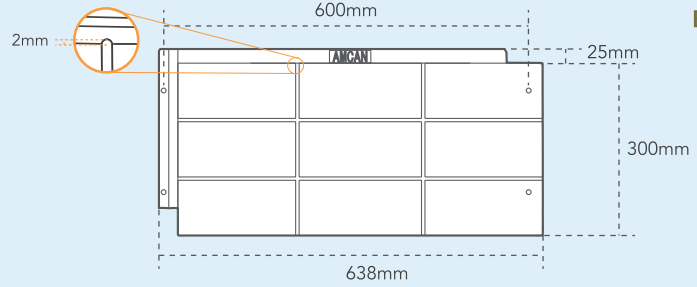
Am-Panel is made from cement, fly ash, sand and fibre.



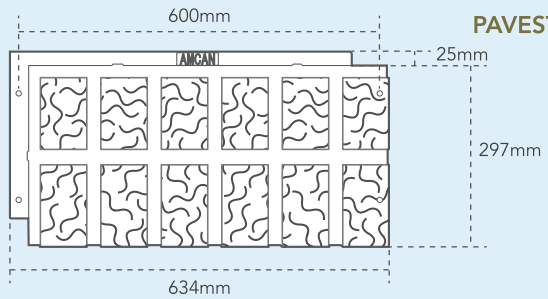
**ROCK FACE DESIGN A**



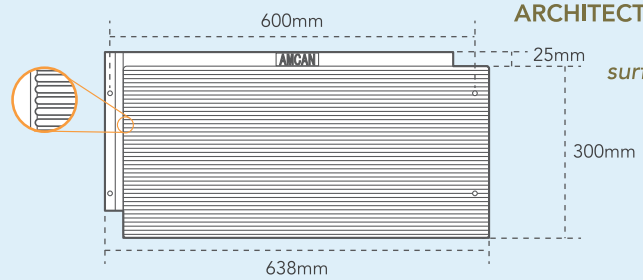
**ROCK FACE DESIGN B**



**BRICK DESIGN**

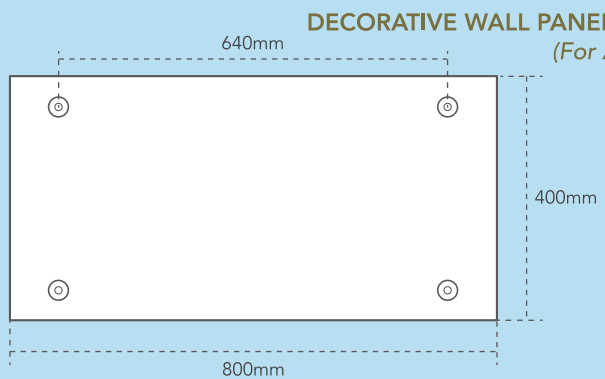


**PAVESTONE DESIGN**



**ARCHITECTURAL DESIGN**

*(Applicable for surface plastering)*



**DECORATIVE WALL PANEL DESIGN**

*(For Aesthetic)*



**Fire Resistance & Load Bearing Certified by BOMBA & SIRIM**



**IBS Framing System**



**IBS Am-Panel Aesthetic System**



**IBS Am-Panel Plastering System**



Dimensionally Stable



Quality Control



Cost Effective



Pests Resistant



Fast Installation



Durable



Fire Resistant



**Factory/Head Office**  
Lot 779, Block 7, Jalan Demak Laut 3,  
MTLD Sejingkat Industrial Park,  
93050 Kuching, Sarawak,  
Malaysia.  
Tel : +6082 432 323  
Fax : +6082 432 828  
E-mail : info.factory@amcan.com

**Sales & Marketing Office**  
Lot 337, Section 54, KTL D,  
Jalan Padungan,  
93100 Kuching, Sarawak,  
Malaysia.  
Tel : +6082 421 373  
Fax : +6082 232 077  
E-mail : info@amcan.com