

Amcan

Since 1983



AMCAN AM85 LINEAR CEILING



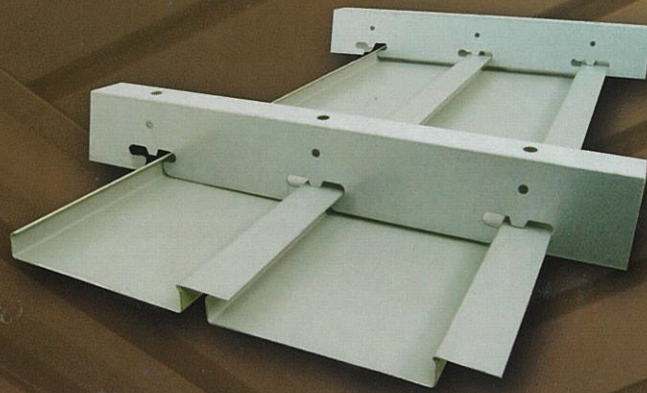
Dedicated to quality excellence

AM85 LINEAR CEILING

Linear Strip Ceiling

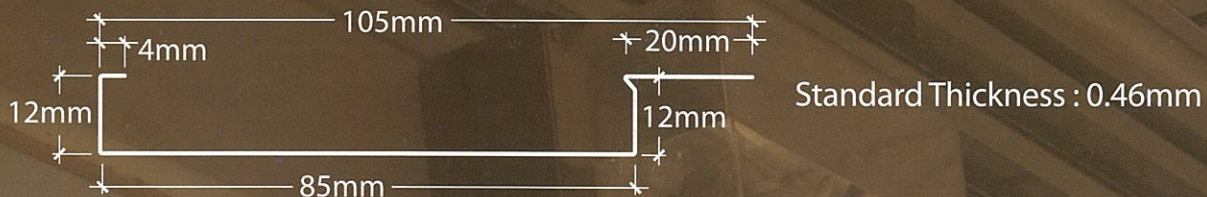
AM85 LINEAR CEILING is a premium pre-painted steel strip ceiling panel system. This system has been designed and developed for applications in virtually every type of commercial, institutional and residential buildings.

AM85 uses premium **55% Al-Zn Alloy Coated Steel** as the standard base metal, together with a wide selection of colors coated from our super durable Polyester Paint System from Sweden.

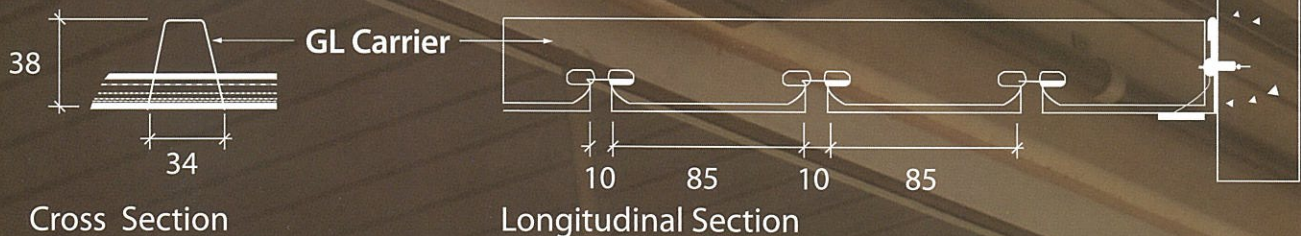


SPECIFICATION

- **AM85 Ceiling Strip**
Pre-painted 55% Al-Zn Alloy Coated Steel



- **AM85 Ceiling Carrier**
55% Al-Zn Alloy Coated Steel



Internal Ceiling

External Ceiling

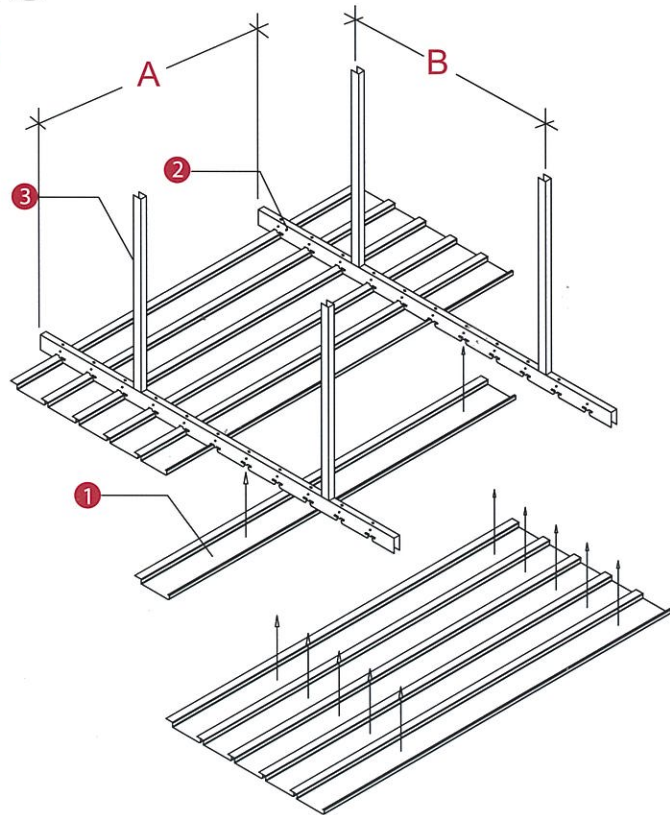
AM85 LINEAR CEILING

- Installation Methods

DESCRIPTION

1. Strip Ceiling Panel
2. GL Carrier
3. Hanger Support

A - Carrier span, Max. 1200mm
B - Support span, Max. 1200mm



AM85 Panel	Width (mm)	Recess groove (mm)	Module (mm)	Depth (mm)	Max Span (mm)	Max Length (mm)	Weight (panel + carrier) (kg/m ²)
	85	20	95	12	1200	6000	5.0

AM85 Carrier	Width (mm)	Depth (mm)	Max. Span (mm)
	34	38	1200

Amcan



AMCAN GROUP

Corporate Office · Factory

Lot 779, Block 7, Jalan Demak Laut 3
MTLD Sejingkat Industrial Park
93050 Kuching, Sarawak Malaysia

Tel +6082 432 323

Fax +6082 432 828

Email : amcancolor@gmail.com

Website : www.amcancolor.com

Amcan

Sabah Factory Office

Lot 2, Jalan Limau Manis, Off Jalan Lintas, Off mile 5, Jalan Tuaran, 88450 Kota Kinabalu, Sabah, Malaysia.

Tel : +6088 428484

Fax : +6088 424661

Johor Bahru Factory Office

Lot Plo, Jalan Firma 3, Tenrau Industrial Estate IV, 81100 Johor Bahru, Johor, Malaysia.

Tel : +607 3552416

Fax : +607 3552426

Kuala Lumpur Office

4-2-4, Jalan Bayam, Queen's Avenue, 55100 Kuala Lumpur, Malaysia.

Tel : +603 92055330

Fax : +603 92055320

Singapore Office

152H, East Cost Road, Singapore

Tel : +65 63482486

Fax : +65 63482487